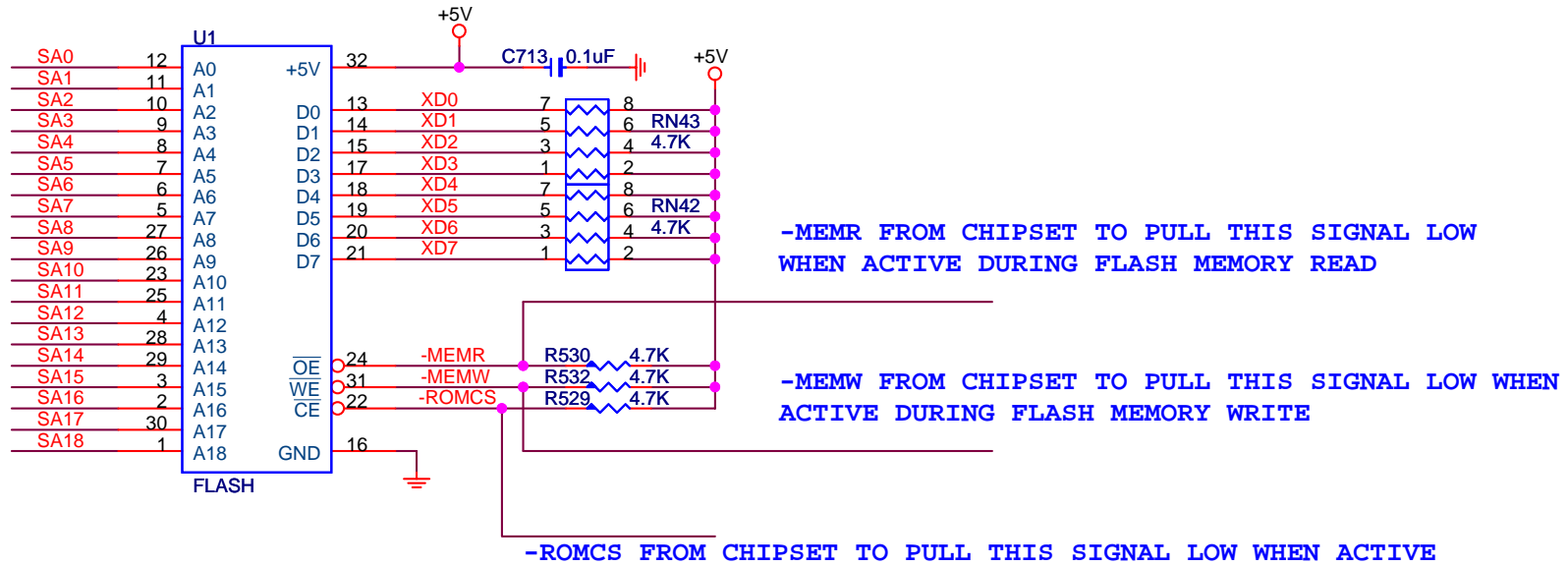


# PARALLEL FLASH CIRCUIT



Title		
FLASH CIRCUIT		
Size	Document Number	Rev
A	<Doc>	0.0
Date:	Sunday, April 29, 2007	Sheet 1 of 1